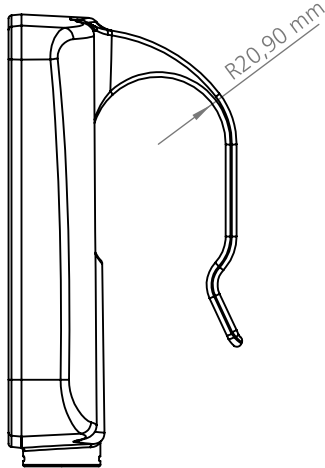
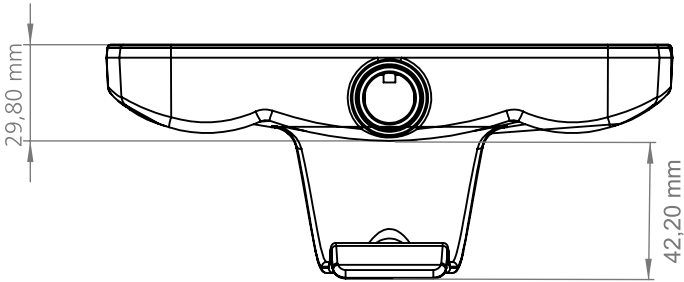
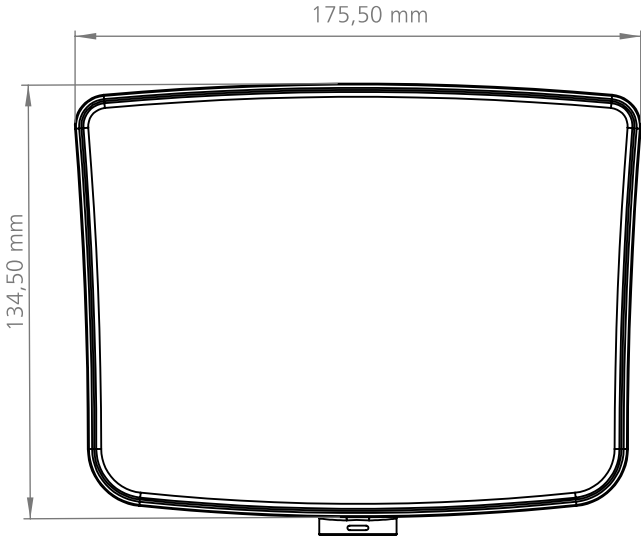




## GENERAL FEATURES

Number of Keys	up to 24 buttons
Actuator Control Capacity	max. 5
IP Code	IPX6
Housing colour	RAL7035
Operating Temperature	+5°C to +40°C
Storage Temperature	-10°C to +50°C
Software	MsBus
Function LED	Yes
Power Supply	With cable in Control Boxes

**DIMENSION DRAWING**



## ORDERING KEY

		<b>NCP</b>
System Architecture	<b>M:</b> MsBus	M
Software Code	<b>01:</b> Standard Software Code <b>XX:</b> Special Software Code The code documentation will be shared with our customers.	01
IP Degree	<b>6:</b> IPX6	6
Button Number	<b>18:</b> 18 Buttons <b>24:</b> 24 Buttons <b>XX:</b> Up to 24 buttons could be selected.	24
Membrane Item Number	<b>XX:</b> Last 2 digits of frontcover item number The membrane documentation will be shared with our customers.	01
Mounting	<b>2:</b> Hook Ø42 mm	2
Housing Colour	<b>1:</b> RAL7035	1
Cable	<b>0:</b> External Cable	0
Not used	<b>00000:</b> None	00000

Ordering example: **NCPM016240121000000**

## SYSTEM COMPATIBILITY

NCPM016240121000000



Compatible control box models

- MCU36
- MCU36B
- MCU36L
- MCU37



Actuator Inputs

Other compatible  
all Controls

### Terms of Use

The user is responsible for determining the suitability of MUKATECH products for a specific application. MUKATECH products are subject to change without prior notice.

### Document Revision Information

MUKATECH 20230920 DT.REV01