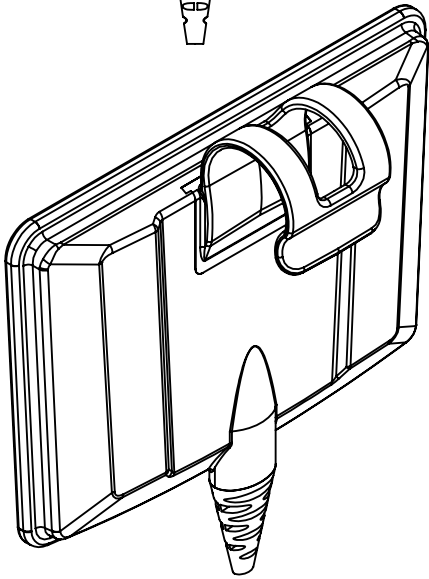
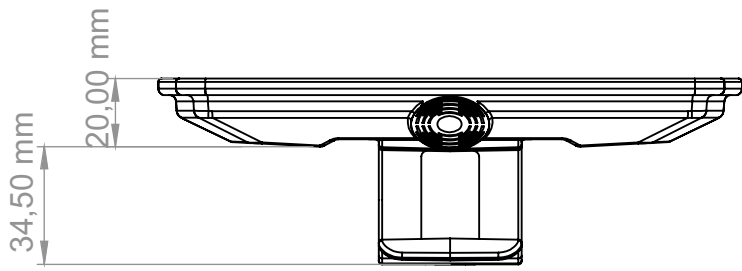
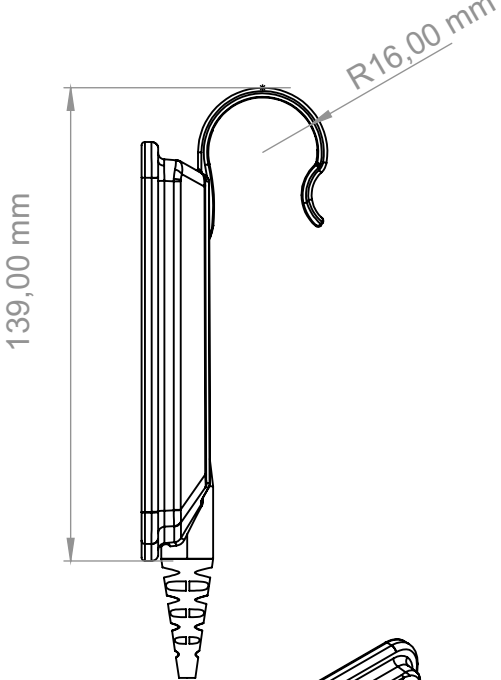
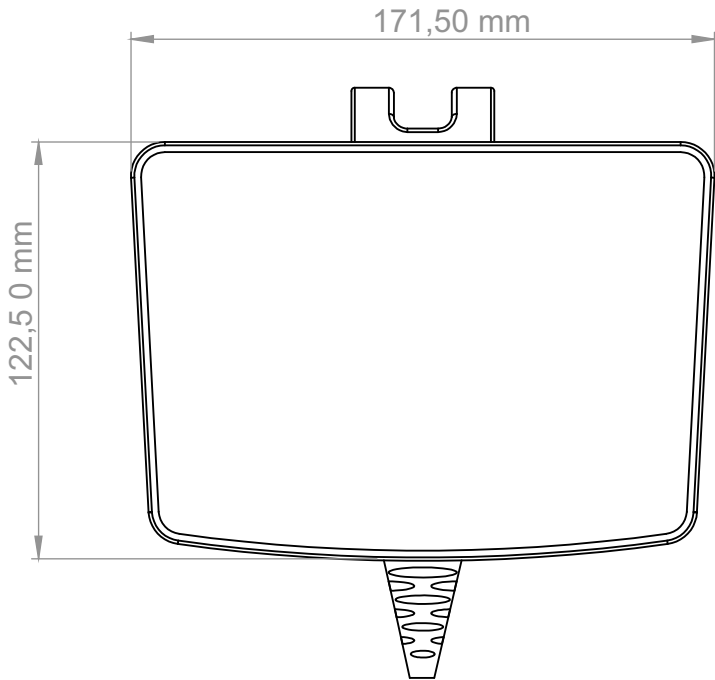




GENERAL FEATURES

Number of Keys	up to 22 buttons
Actuator Control Capacity	max. 4
IP Code	IPX6
Housing colour	RAL7035
Operating Temperature	+5°C to +40°C
Storage Temperature	-10°C to +50°C
Software	MsBus
Function LED	Yes
Power Supply	With cable in Control Boxes

DIMENSION DRAWING



ORDERING KEY

		NCD
System Architecture	M: MsBus	M
Software Code	01: Standard Software Code XX: Special Software Code The code documentation will be shared with our customers.	01
IP Degree	6: IPX6	6
Button Number	18: 18 Buttons 22: 22 Buttons XX: Up to 22 buttons could be selected.	22
Membrane Item Number	XX: Last 2 digits of frontcover item number The membrane documentation will be shared with our customers.	01
Mounting	1: Hook Ø32 mm	1
Housing Colour	1: RAL7035 2: Black	1
Cable	+ : Internal Cable	+
Cable Type	1: Spiral Cable	1
Connector	6: Modular Jack 10P6C 90° plug	6
Cable Length	8: 3600mm 9: 5000mm	8

Ordering example: NCDM016220111+168

SYSTEM COMPATIBILITY

Compatible control
box models
-MC74
-MC84
-MC86

NCDM016220111+168

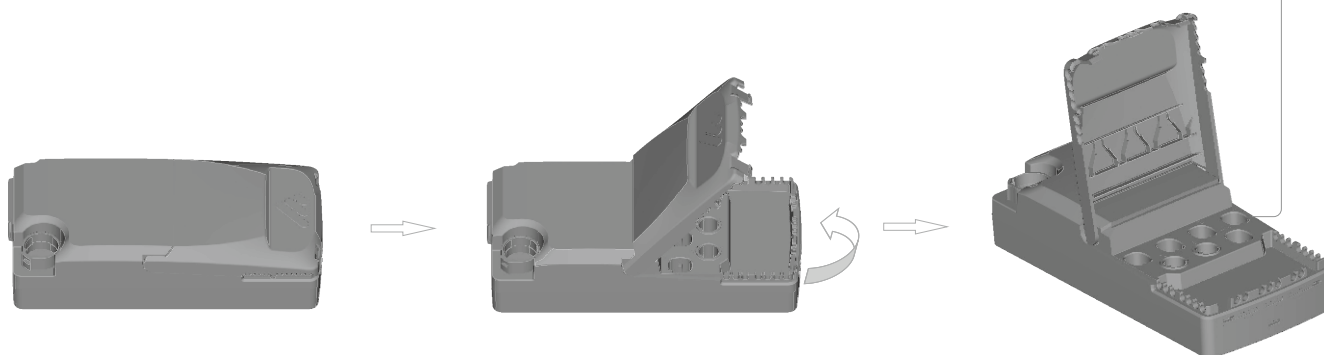


Actuator Inputs



Battery
Input

Other compatible
all Controls



Terms of Use

The user is responsible for determining the suitability of MUKATECH products for a specific application. MUKATECH products are subject to change without prior notice.

Document Revision Information

MUKATECH 20241104 DT.REV00