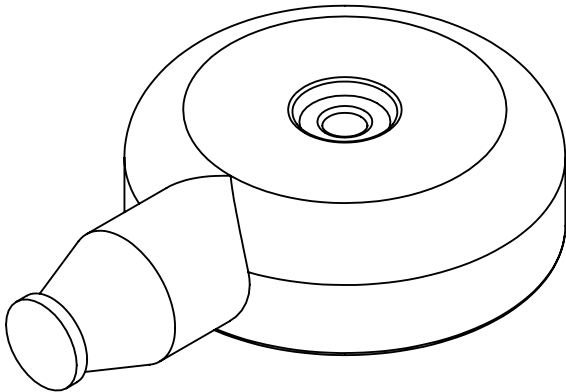
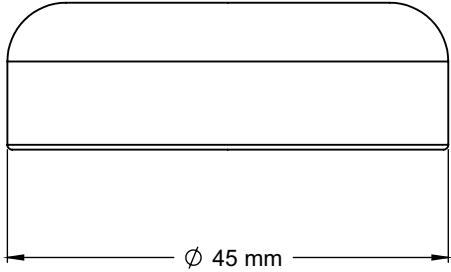
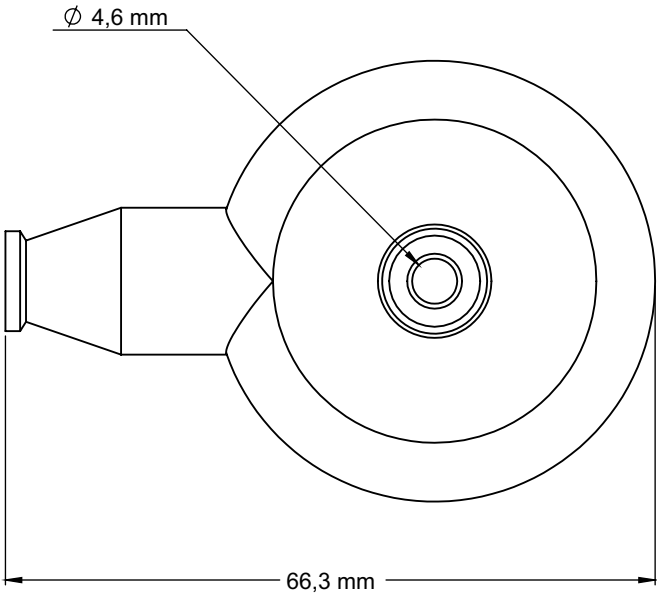
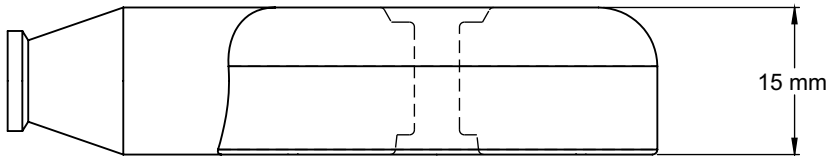




GENERAL FEATURES

Light Color	Optional
LED Quantity	4
IP Code	IPX6
Housing colour	RAL7035
Operating Temperature	-10°C to +50°C
Storage Temperature	-10°C to +50°C
Software	MSBus
Function LED	No
Power Supply	With cable in Control Boxes

DIMENSION DRAWING



ORDERING KEY

		BFL
System Architecture	M: MsBus	M
Software Code	01: Standard Software Code XX: Special Software Code The code documentation will be shared with our customers.	01
IP Degree	6: IPX6	6
Not Used	00: None	00
LED color option	01: White LED 02: 2pcs Red LED, 2pcs Green LED XX: Special Color Code	01
Not used	0: None	0
Housing Colour	1: RAL7035	1
Cable	+ : Internal Cable	+
Cable Type	2: Flat Cable	2
Connector	5: Modular Jack 10P6C 180° plug 6: Modular Jack 10P6C 90° plug	5
Cable Length	7: 2300mm	7

Ordering example: **BFLM016000101+257**

SYSTEM COMPATIBILITY

- If the cable connector is 180 degrees, then this system is applicable.

Compatible control box models

- MCU36
- MCU36B
- MCU36L
- MCU37

BFLM016000101+257

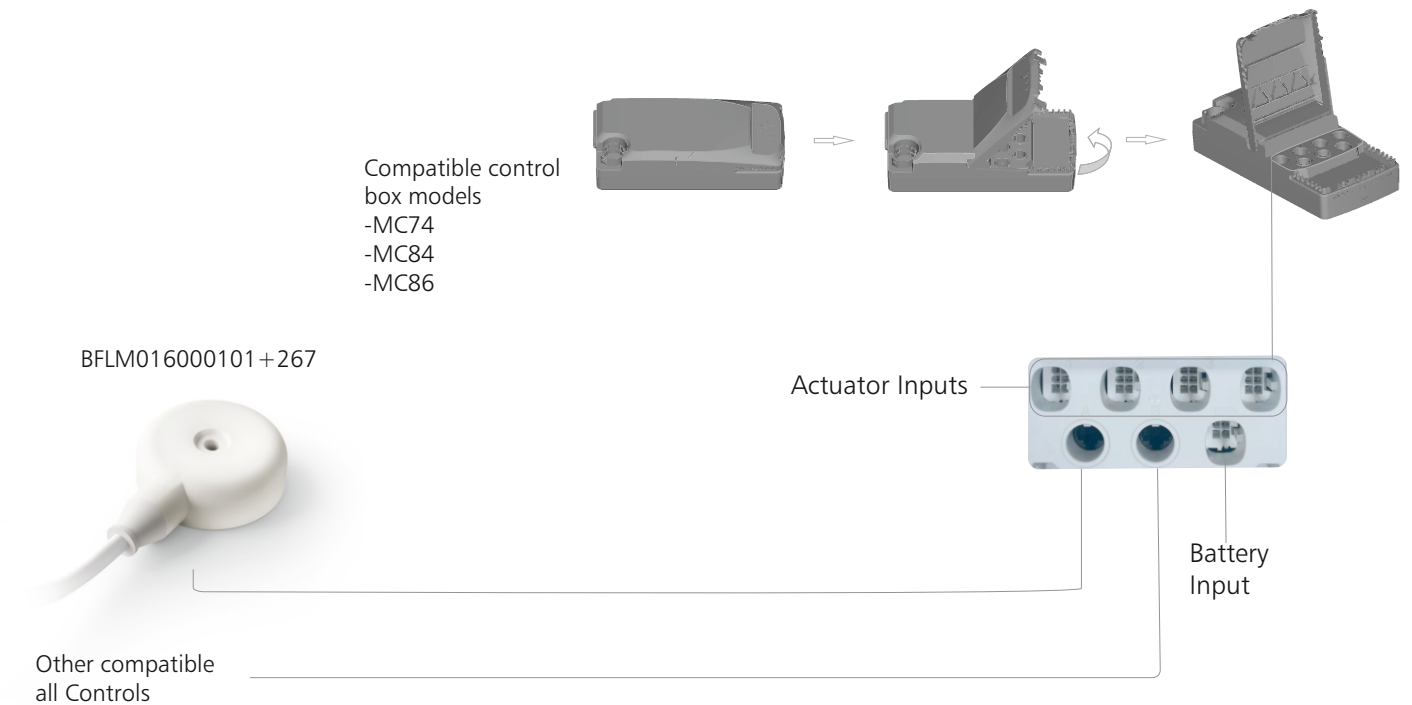


- If the cable connector is 90 degrees, then this system is applicable.

Compatible control box models

- MC74
- MC84
- MC86

BFLM016000101+267



Terms of Use

The user is responsible for determining the suitability of MUKATECH products for a specific application. MUKATECH products are subject to change without prior notice.

Document Revision Information

MUKATECH 20241104 DT.REV03