

MC86

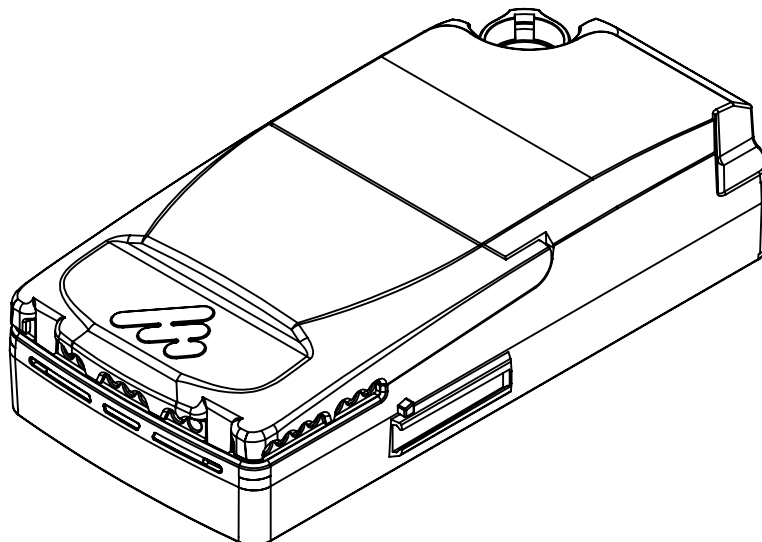
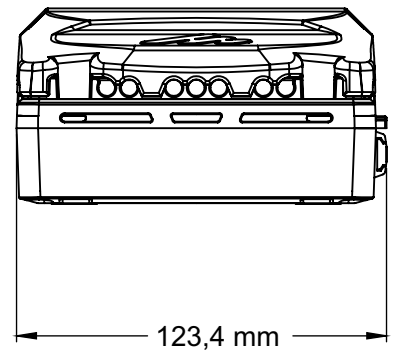
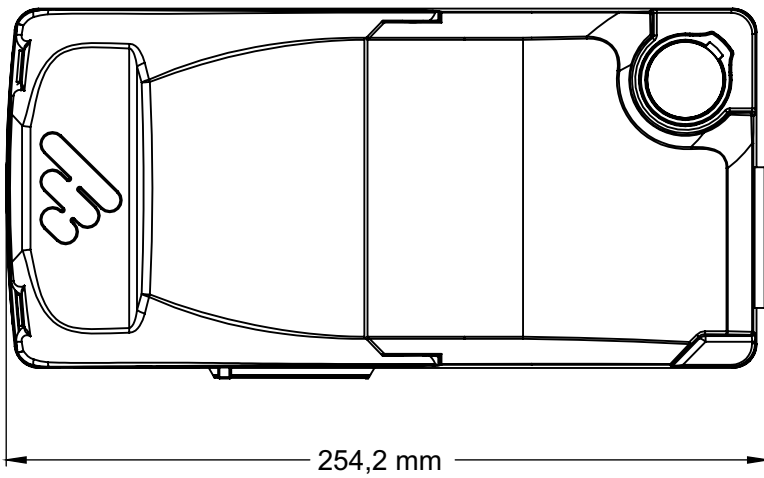
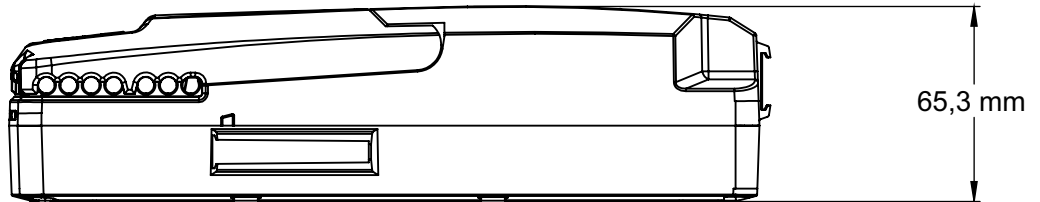
HEALTHCARE SERIES/CONTROL BOXES



GENERAL FEATURES

Controls Capacity	2
Actuator Control Capacity	4
IP Code	IPX6
Housing colour	RAL7035
Operating Temperature	+5°C to +40°C
Storage Temperature	-10°C to +50°C
Software	MsBus
Mains Indicator	Yes
Power Supply	120 / 230 VAC 50/60 Hz (internal 200W SMPS)
Safety system	Thermally protected. Short-circuit protected.
Protection class	Class 2, Class 1 is possible with AC cable
Internal Battery	No
Control Method	FET

DIMENSION DRAWING



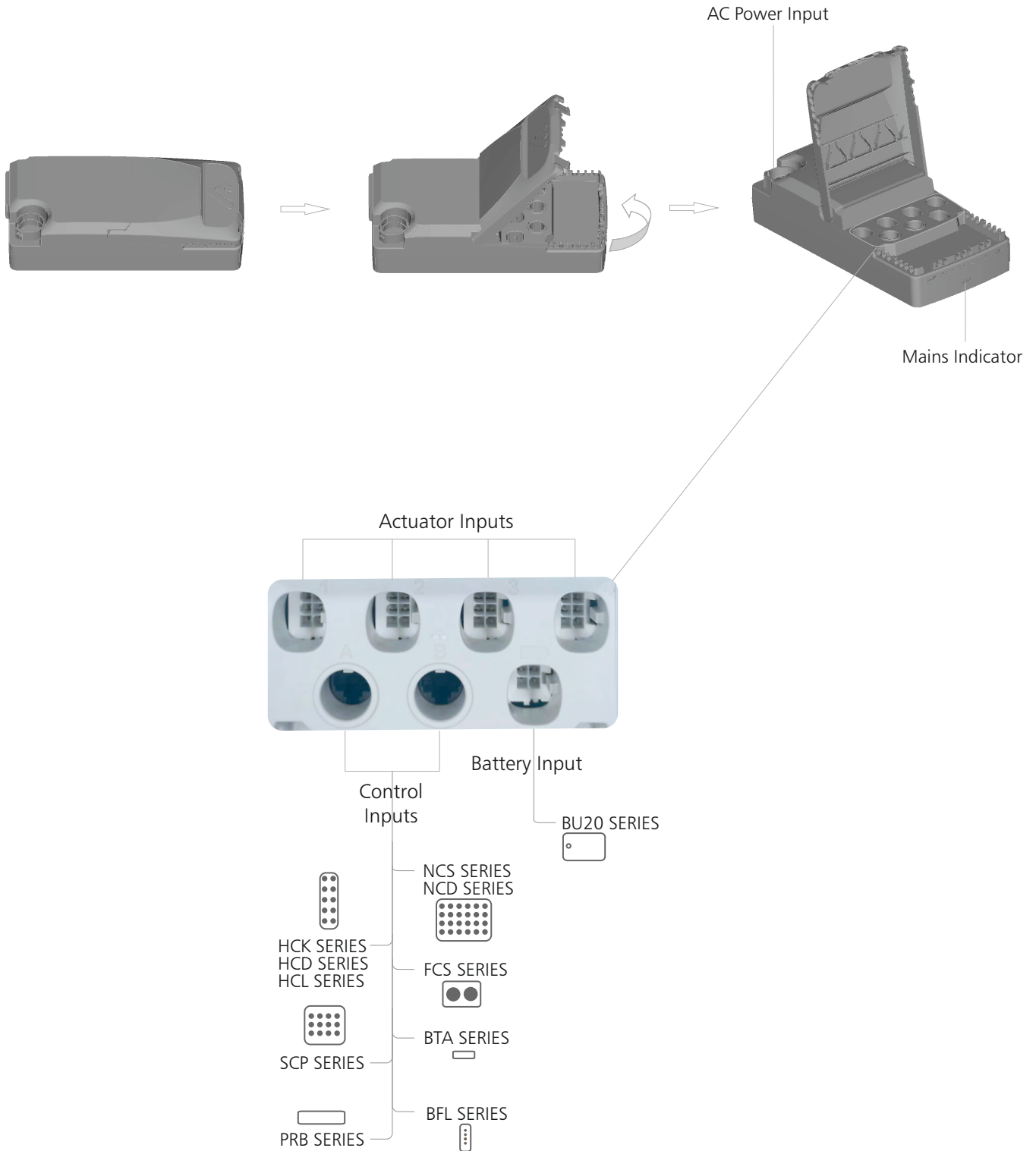
ORDERING KEY

		MC86
System Architecture	M: MsBus	M
Software Code	01: Standard Software Code XX: Special Software Code The code documentation will be shared with our customers.	01
IP Degree	6: IPX6	6
Number of Controls	2: 2 Controls	2
Number of Actuators	4: 4 Actuators	4
Power	20: 200W	20
Housing Colour	1: RAL7035	1
Battery	0: External Battery	0
Control Method	F: FET	F
H-Bridge	0: Half Bridge	0
Power Supply	2: SMPS	2
Electrical Class	2: Class 2	2
Grounding	2: On AC Cable	2
Reserved for Future Use	00: None	00

Ordering example: **MC86M016242010F022200**

SYSTEM COMPATIBILITY

Ordering Key:MC86M016242010F022200



All controls are only usable with 90 degree cable. Please review the controls datasheets for detailed information.

Terms of Use

The user is responsible for determining the suitability of MUKATECH products for a specific application. MUKATECH products are subject to change without prior notice.

Document Revision Information

MUKATECH 20241104 DT.REV02

