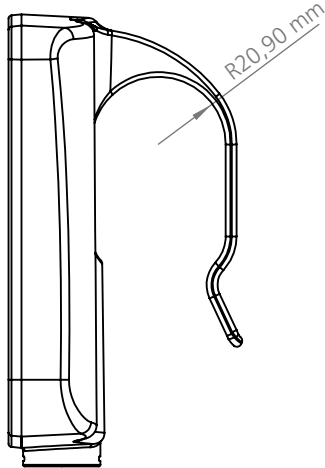
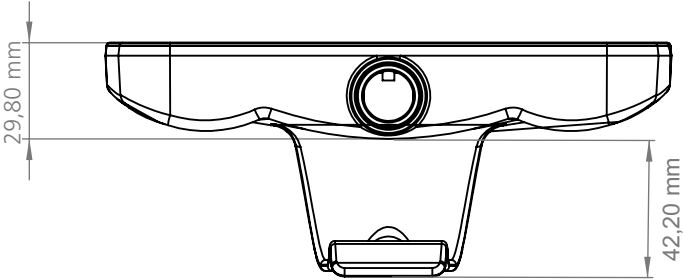
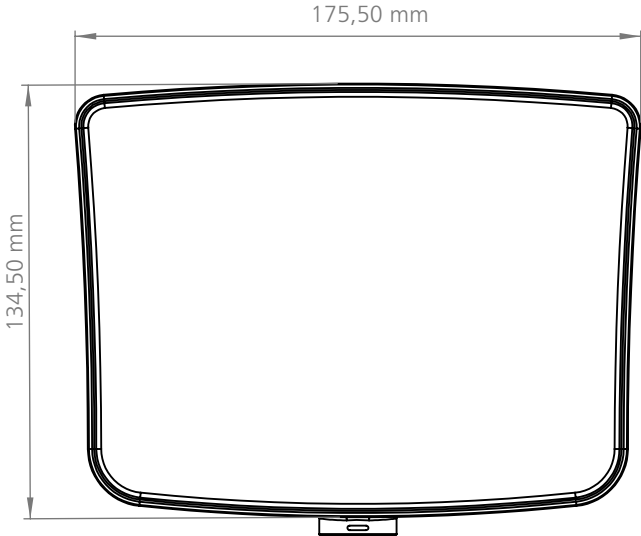




GENERAL FEATURES

Number of Keys	up to 24 buttons
Actuator Control Capacity	max. 5
IP Code	IPX6
Housing colour	RAL7035
Operating Temperature	+5°C to +40°C
Storage Temperature	-10°C to +50°C
Software	MsBus
Function LED	Yes
Power Supply	With cable in Control Boxes

DIMENSION DRAWING



ORDERING KEY

		NCP
System Architecture	M: MsBus	M
Software Code	01: Standard Software Code XX: Special Software Code The code documentation will be shared with our customers.	01
IP Degree	6: IPX6	6
Button Number	18: 18 Buttons 24: 24 Buttons XX: Up to 24 buttons could be selected.	24
Membrane Item Number	XX: Last 2 digits of frontcover item number The membrane documentation will be shared with our customers.	01
Mounting	2: Hook Ø42 mm	2
Housing Colour	1: RAL7035	1
Cable	0: External Cable	0
Not used	00000: None	00000

Ordering example: **NCPM016240121000000**

SYSTEM COMPATIBILITY

NCPM016240121000000



Compatible control box models

- MCU36
- MCU36B
- MCU36L
- MCU37



Actuator Inputs

Other compatible
all Controls

Terms of Use

The user is responsible for determining the suitability of MUKATECH products for a specific application. MUKATECH products are subject to change without prior notice.

Document Revision Information

MUKATECH 20241104 DT.REV02