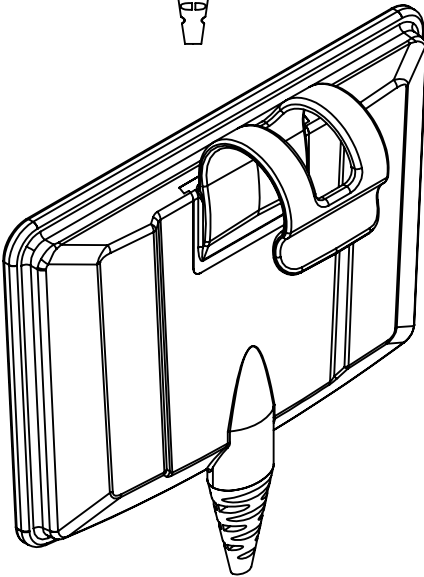
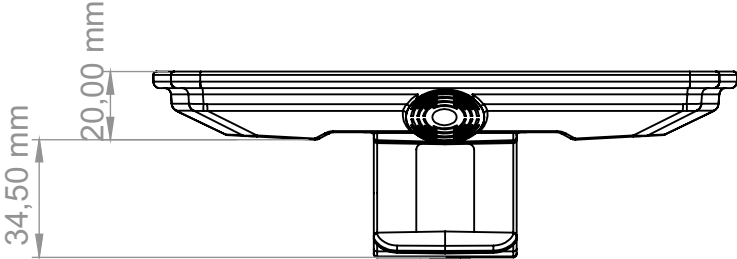
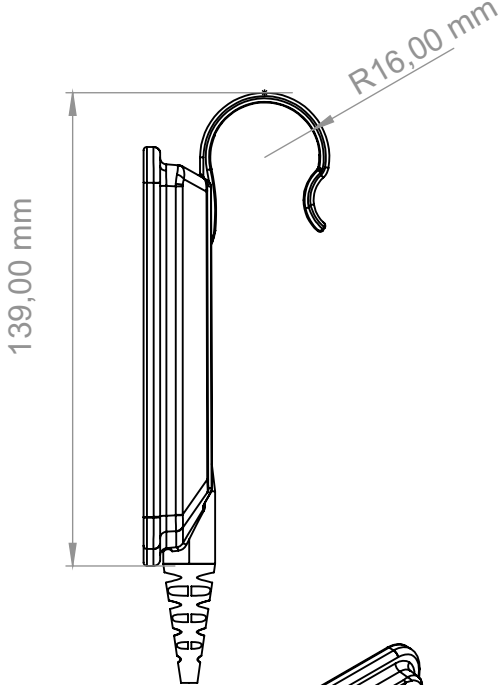
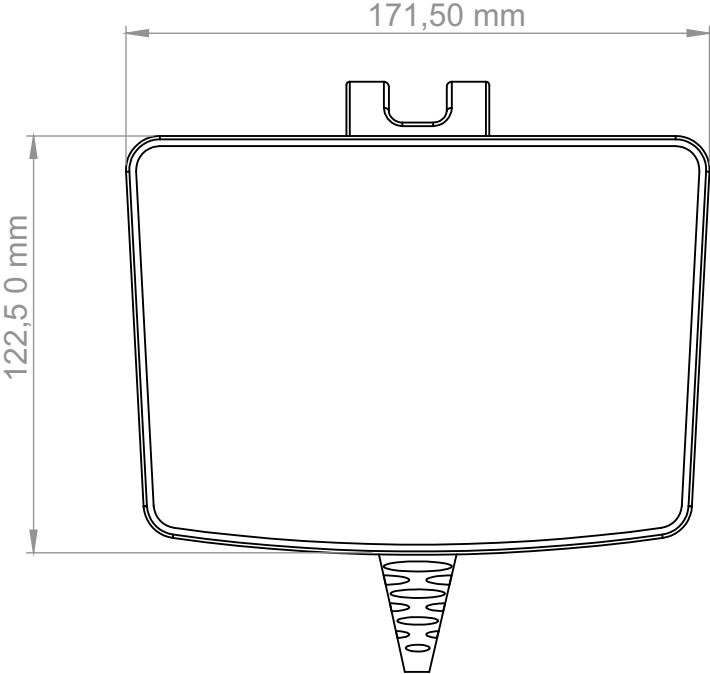




## GENERAL FEATURES

Number of Keys	up to 11 buttons
Actuator Control Capacity	max. 4
IP Code	IPX6
Housing colour	RAL7035
Operating Temperature	+5°C to +40°C
Storage Temperature	-10°C to +50°C
Software	No
Function LED	No
Power Supply	With cable in Control Boxes

**DIMENSION DRAWING**



## ORDERING KEY

		<b>NCA</b>
System Architecture	<b>A:</b> Analogue	A
Software Code	<b>00:</b> None	00
IP Degree	<b>6:</b> IPX6	6
Button Number	<b>11:</b> 11 Buttons <b>XX:</b> Up to 11 buttons could be selected.	11
Membrane Item Number	<b>XX:</b> Last 2 digits of frontcover item number The membrane documentation will be shared with our customers.	01
Mounting	<b>1:</b> Hook Ø32 mm	1
Housing Colour	<b>1:</b> RAL7035 <b>2:</b> Black	1
Cable	<b>+</b> : Internal Cable	+
Cable Type	<b>1:</b> Spiral Cable	1
Connector	<b>6:</b> Modular Jack 10P8C 90° plug Only for analog system option	6
Cable Length	<b>8:</b> 3600mm <b>9:</b> 5000mm	8

Ordering example: **NCAA006110111+168**

## SYSTEM COMPATIBILITY

Compatible control  
box models  
-MC71  
-MC81

NCAA006110111+168

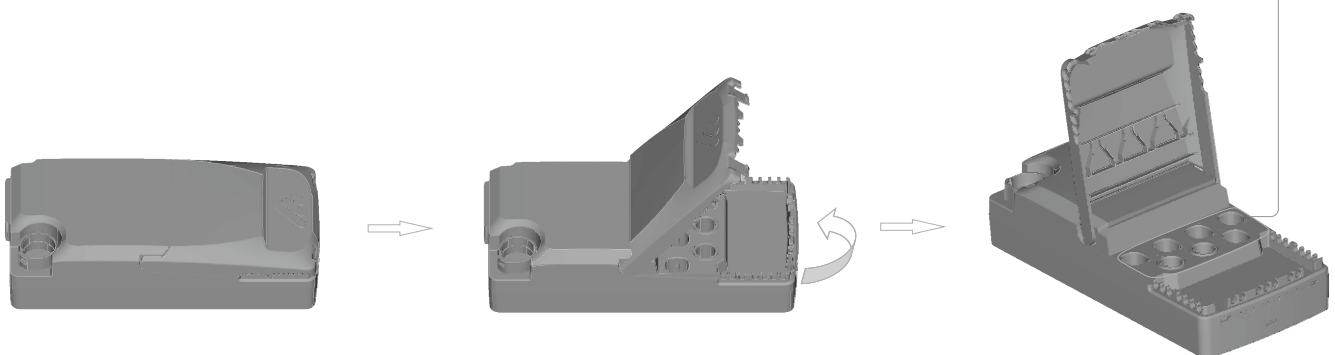


Actuator Inputs



Battery  
Input

Other compatible  
all Controls



### Terms of Use

The user is responsible for determining the suitability of MUKATECH products for a specific application. MUKATECH products are subject to change without prior notice.

### Document Revision Information

MUKATECH 20241104 DT.REV02