

MA50

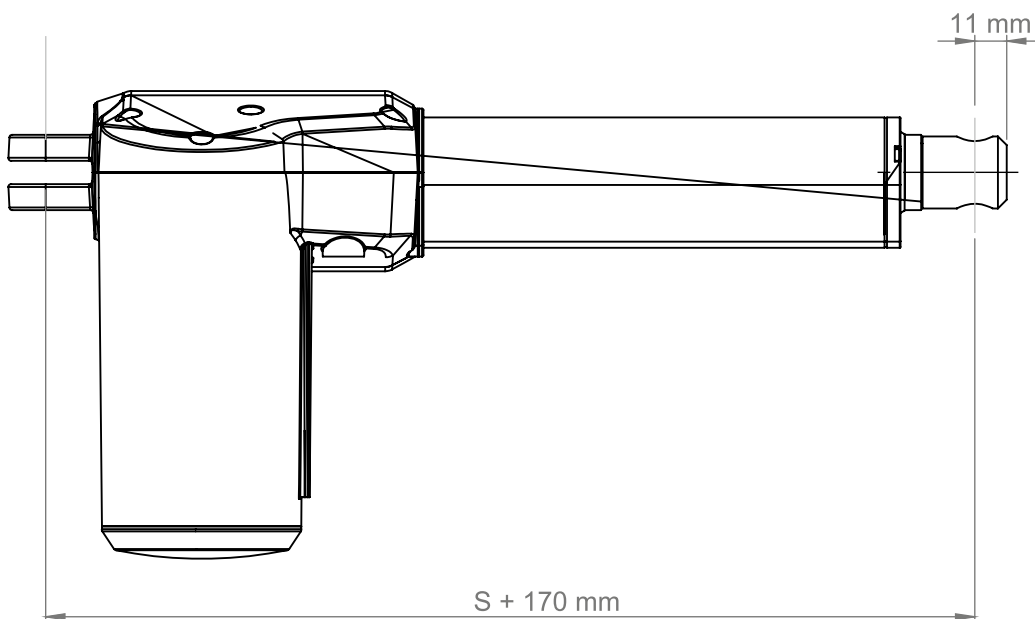
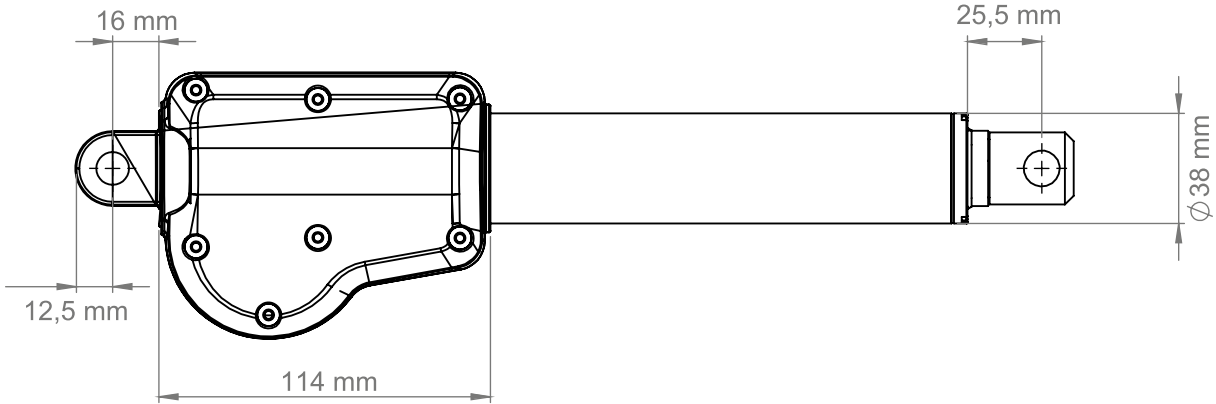
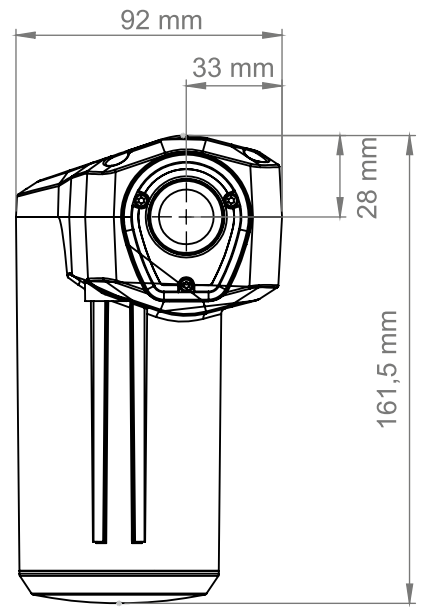
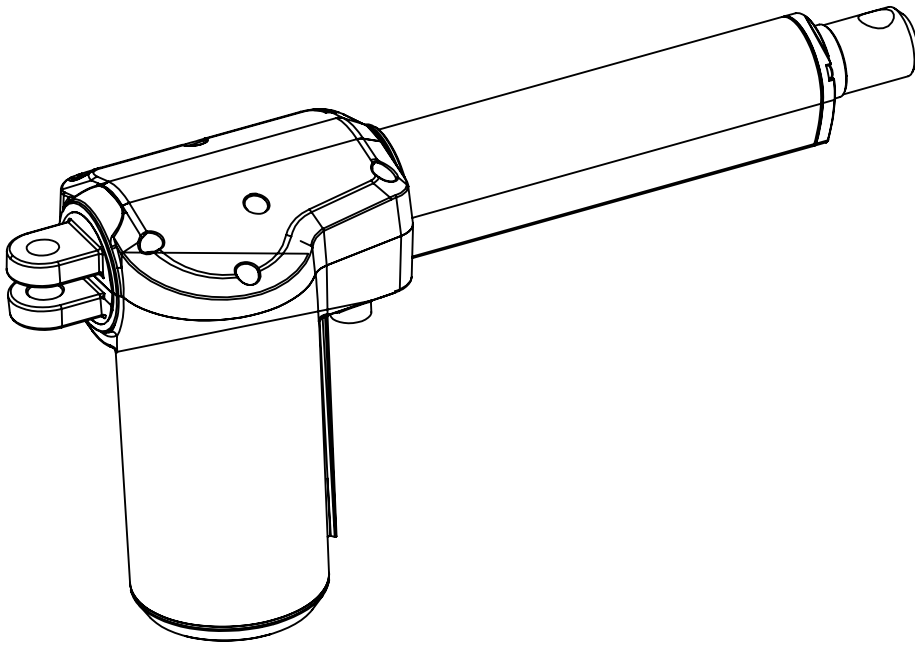
HEALTHCARE SERIES/ACTUATOR



GENERAL FEATURES

Max. load	8,000N (push); 3,000N (pull)
Speed at full load	4mm/s
Max. speed at no load	16.8mm/s
Duty cycle	10%, max. 2min. continuous use
Min. installation dimension	Stroke length + 170mm
IP rating	IPX6
Approvals	IEC 60601-1
Stroke	25~250mm
Feedback options	Hall sensors
Safety options	Safety nut, Push only, Push only + safety nut
Voltage	24V DC
Housing color	RAL7035
Operational temperature	+5°C to +40°C

DIMENSION DRAWING



ORDERING KEY

MA50

Spindle pitch	30: 3mm 40: 4mm 50: 5mm 90: 9mm	40
Stroke	050: 50mm 100: 100mm 150: 150mm 200: 200mm 250: 250mm XXX: Special length-between 50mm~250mm	150
Safety	0: Standard (Without) 1: Safety nut 2: Push only 3: Push only + safety nut	0
Feedback	0: None 1: Single Hall 2: Dual Hall	0
Motor type	A: Normal B: High performance C: Special	A
Endstop	0: Power switch (Operate with analogue + MsBus control boxes) 1: Signal switch (Operate with MsBus control boxes)	0
IP degree	0: Without 4: IPX4 6: IPX6	4
Housing Colour	1: Light Grey RAL 7035 2: Black	1
Back fixture	2: Plastic, with slot, width 8.2, depth 17.0, hole 10.2 (for push<8000N) 3: Plastic, with slot, width 8.2, depth 17.0, hole 12.2 (for push<8000N) 4: Aluminum casting, with slot, slot 8.2, depth 17.0, hole 10.2 5: Aluminum casting, with slot, slot 8.2, depth 17.0, hole 12.2 6: Aluminum casting, with slot, slot 8.2, depth 17.0, hole 10.2, with plastic bushing	2
Back fixture rotation	1: 0° 2: 180°	1
Piston rod	C: Steel, without slot, hole 12.2 D: Steel, with slot, hole 12.2 E: Steel, without slot, hole 10.2, with plastic bushing F: Steel, with slot, hole 10.2, with plastic bushing G: Plastic, without slot, hole 10.2 H: Plastic, without slot, hole 12.2 I: Plastic, with slot, hole 10.2 J: Plastic, with slot, hole 12.2	G

ORDERING KEY Continued

Brake	0: Without 1: Spindle brake M: Motor brake	0
Install dimension	XXX: Standard BID= Stroke length + 170mm With push only BID= Stroke length + 180mm	320
Option load	1: 6000N 2: 8000N 3: 4000N 4: 2000N	1
Connector	0: None 1: Minitfit 6P2C 180° plug (Only for power switch option) 2: Minitfit 6P2C 90° plug (Only for power switch option) 3: Minitfit 6P6C 180° plug 4: Minitfit 6P6C 90° plug	1
Cable Length	0: None 1: 500mm 2: 750mm 3: 1000mm 4: 1250mm 5: 1500mm 6: 2000mm	4

Ordering example: MA504015000A04121G0320114

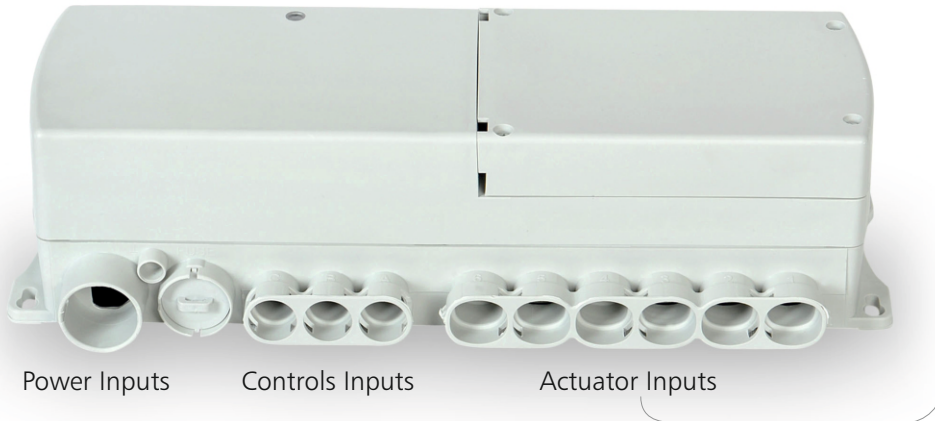
SYSTEM COMPATIBILITY

- If the cable connector is 180 degrees, then this system is applicable.

MA504015000A04121G0320114

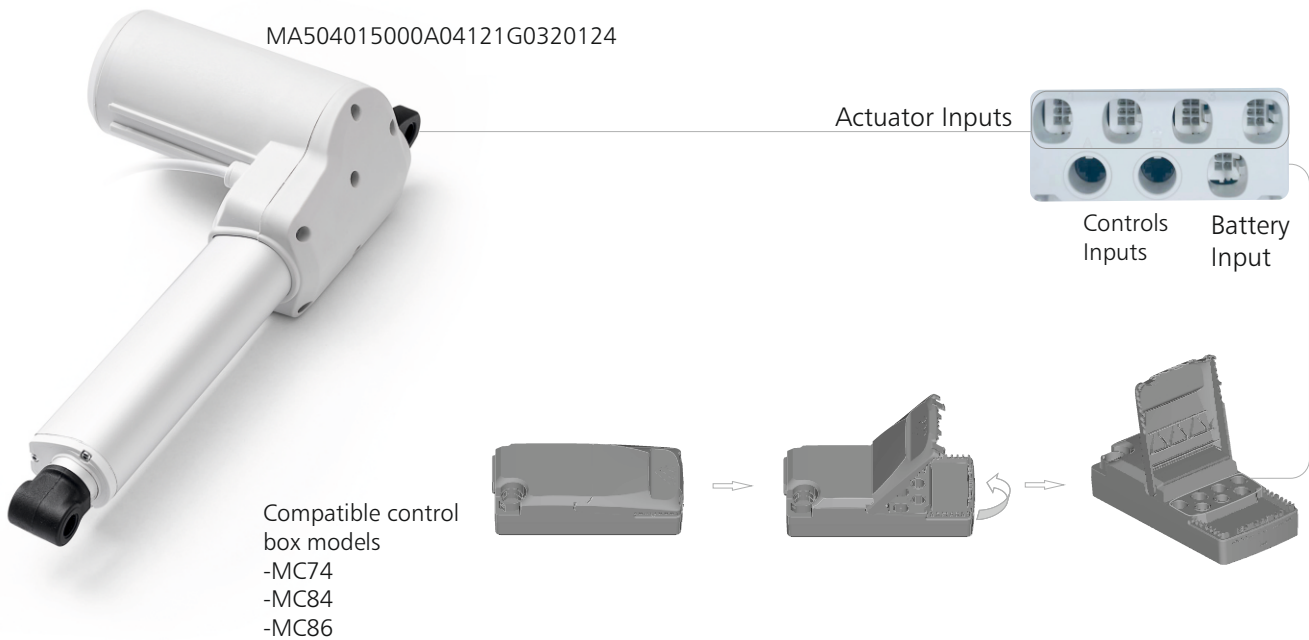
Compatible control box models

- MCU36
- MCU36B
- MCU36L
- MCU37



- If the cable connector is 90 degrees, then this system is applicable.

MA504015000A04121G0320124



Terms of Use

The user is responsible for determining the suitability of MUKATECH products for a specific application. MUKATECH products are subject to change without prior notice.

Document Revision Information

MUKATECH 20241104 DT.REV01