

# MCA81

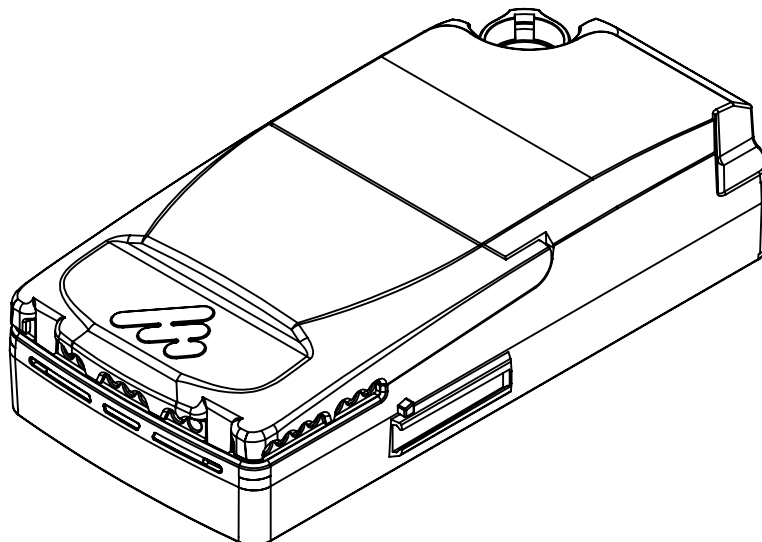
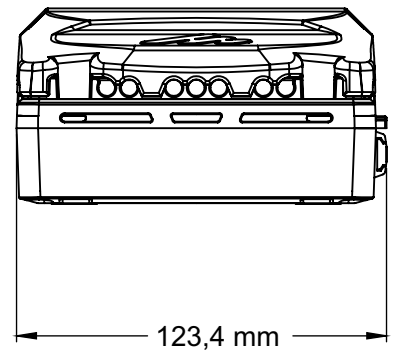
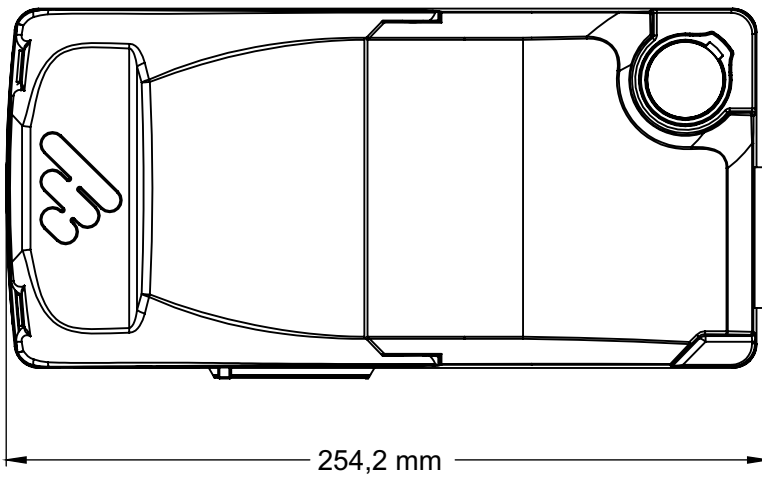
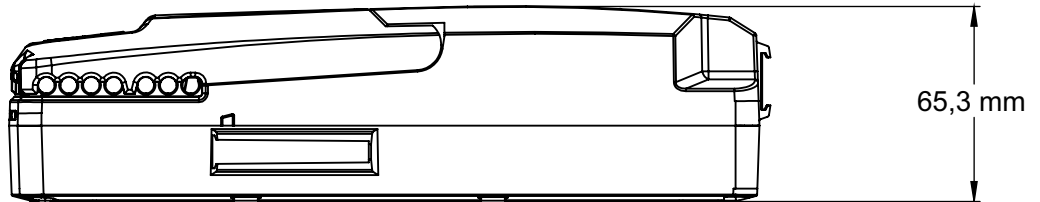
HEALTHCARE SERIES/CONTROL BOXES



## GENERAL FEATURES

Controls Capacity	2
Actuator Control Capacity	4
IP Code	IPX6
Housing colour	RAL7035
Operating Temperature	+5°C to +40°C
Storage Temperature	-10°C to +50°C
Software	No
Mains Indicator	No
Power Supply	120 / 230 VAC 50/60 Hz (internal 200W SMPS)
Safety system	Thermally protected. Short-circuit protected.
Protection class	Class 2, Class 1 is possible with AC cable
Internal Battery	No
Control Method	Relay

## DIMENSION DRAWING



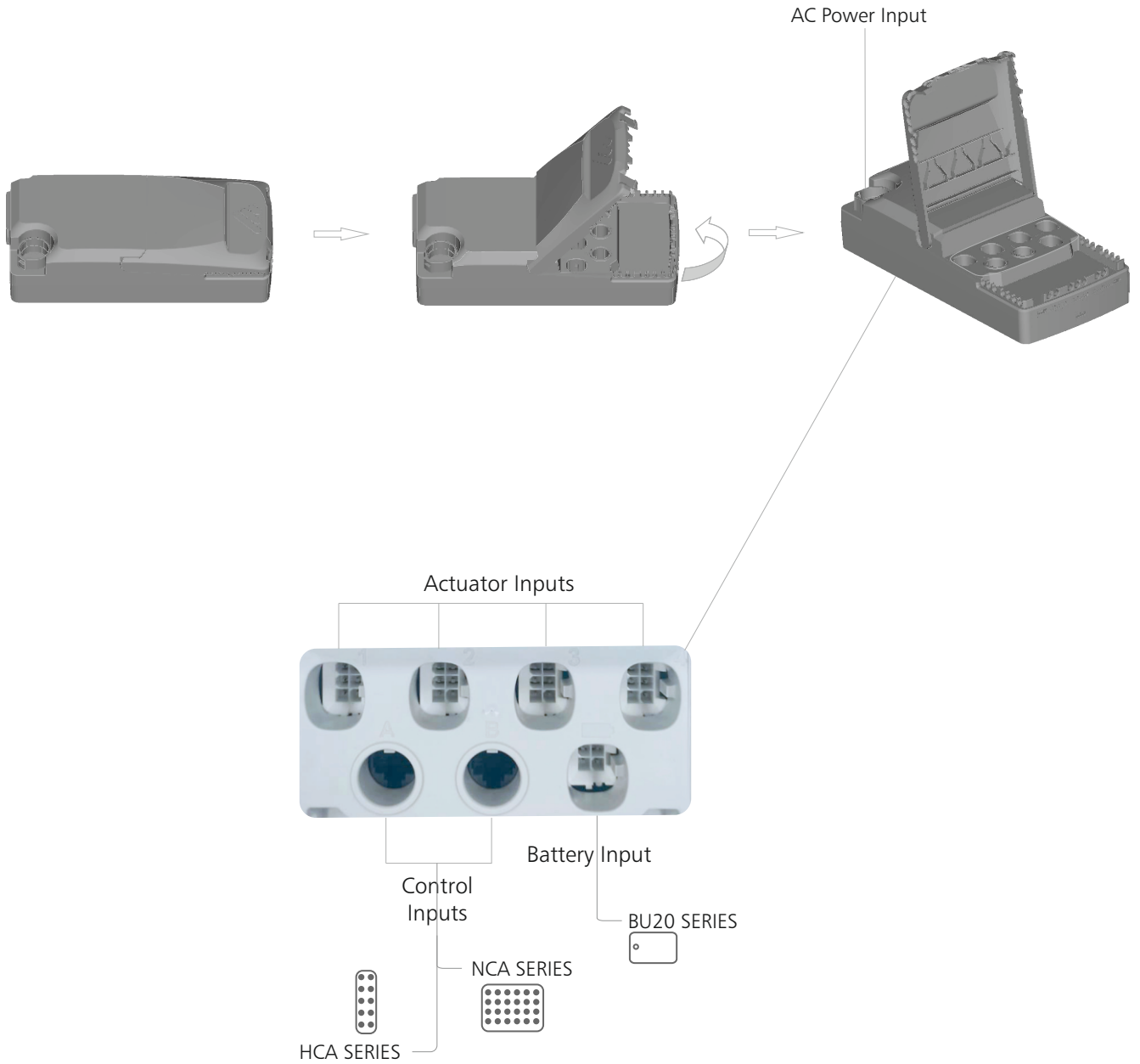
## ORDERING KEY

		<b>MC81</b>
System Architecture	<b>A:</b> Analogue	A
Software Code	<b>00:</b> None	00
IP Degree	<b>6:</b> IPX6	6
Number of Controls	<b>2:</b> 2 Controls	2
Number of Actuators	<b>4:</b> 4 Actuators	4
Power	<b>20:</b> 200W	20
Housing Colour	<b>1:</b> RAL7035	1
Battery	<b>0:</b> External Battery	0
Control Method	<b>R:</b> Relay	R
H-Bridge	<b>0:</b> Half Bridge	0
Power Supply	<b>2:</b> SMPS	2
Electrical Class	<b>2:</b> Class 2	2
Grounding	<b>2:</b> On AC Cable	2
Reserved for Future Use	<b>00:</b> None	00

Ordering example: **MC81A006242010R022200**

# SYSTEM COMPATIBILITY

Ordering Key:MC81A006242010R022200



## Terms of Use

The user is responsible for determining the suitability of MUKATECH products for a specific application. MUKATECH products are subject to change without prior notice.

## Document Revision Information

MUKATECH 20241104 DT.REV02