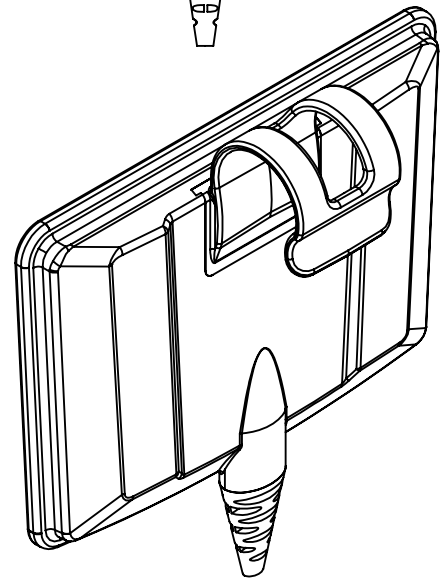
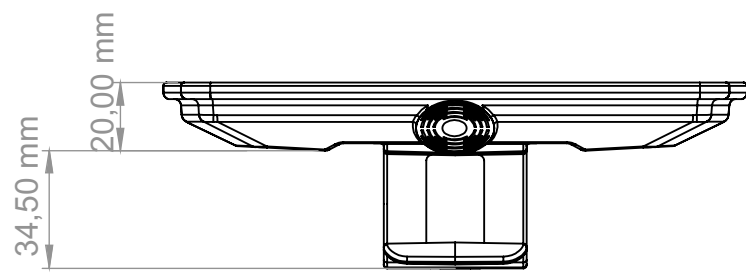
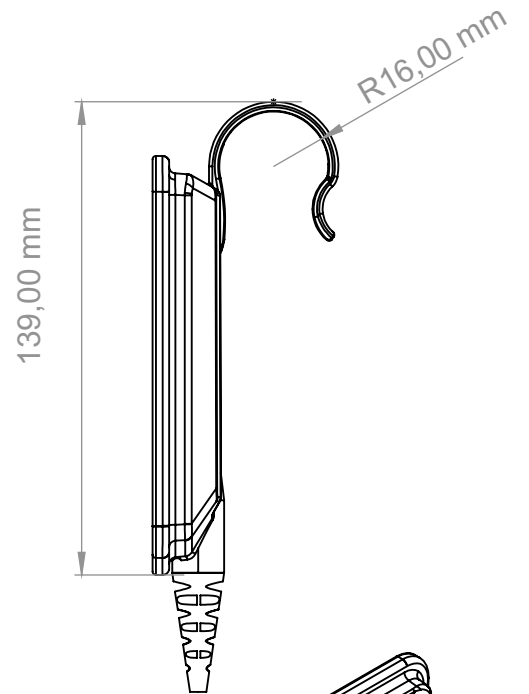
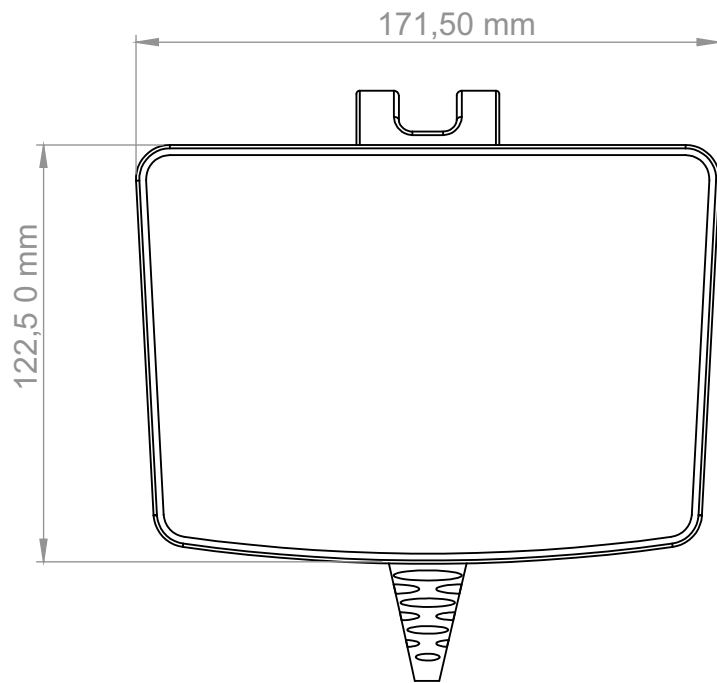




## GENERAL FEATURES

Number of Keys	up to 24 buttons
Actuator Control Capacity	max. 4
IP Code	IPX6
Housing colour	RAL7035
Operating Temperature	+5°C to +40°C
Storage Temperature	-10°C to +50°C
Software	MsBus
Function LED	Yes
Power Supply	With cable in Control Boxes

# DIMENSION DRAWING



## ORDERING KEY

		<b>NCS</b>
System Architecture	<b>M:</b> MsBus	M
Software Code	<b>01:</b> Standard Software Code <b>XX:</b> Special Software Code The code documentation will be shared with our customers.	01
IP Degree	<b>6:</b> IPX6	6
Button Number	<b>18:</b> 18 Buttons <b>24:</b> 24 Buttons <b>XX:</b> Up to 24 buttons could be selected.	24
Membrane Item Number	<b>XX:</b> Last 2 digits of frontcover item number The membrane documentation will be shared with our customers.	01
Mounting	<b>1:</b> Hook Ø32 mm	1
Housing Colour	<b>1:</b> RAL7035 <b>2:</b> Black	1
Cable	<b>+</b> : Internal Cable	+
Cable Type	<b>1:</b> Spiral Cable	1
Connector	<b>6:</b> Modular Jack 10P6C 90° plug	6
Cable Length	<b>8:</b> 3600mm <b>9:</b> 5000mm	8

Ordering example: **NCSM016240111+168**

# SYSTEM COMPATIBILITY

Compatible control  
box models  
-MC74  
-MC84  
-MC86

NCSM016240111+168

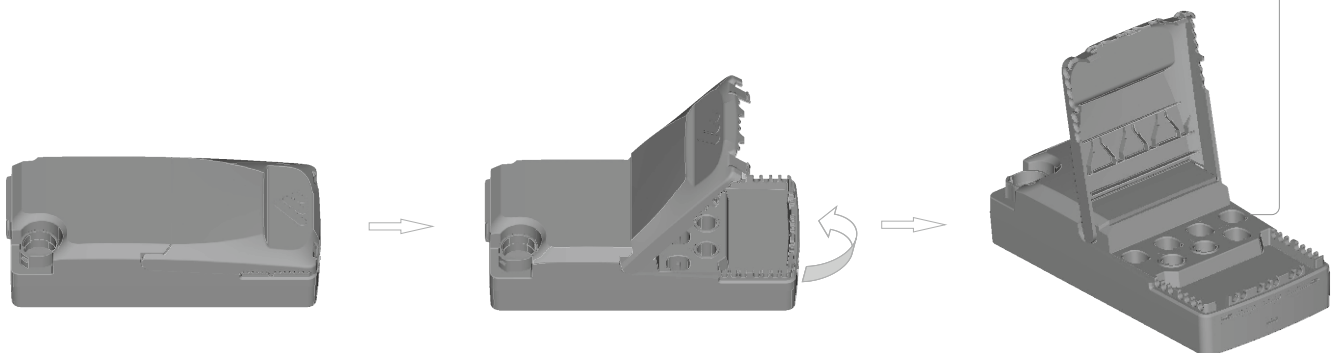


Actuator Inputs



Battery  
Input

Other compatible  
all Controls



## Terms of Use

The user is responsible for determining the suitability of MUKATECH products for a specific application. MUKATECH products are subject to change without prior notice.

## Document Revision Information

MUKATECH 20241104 DT.REV02