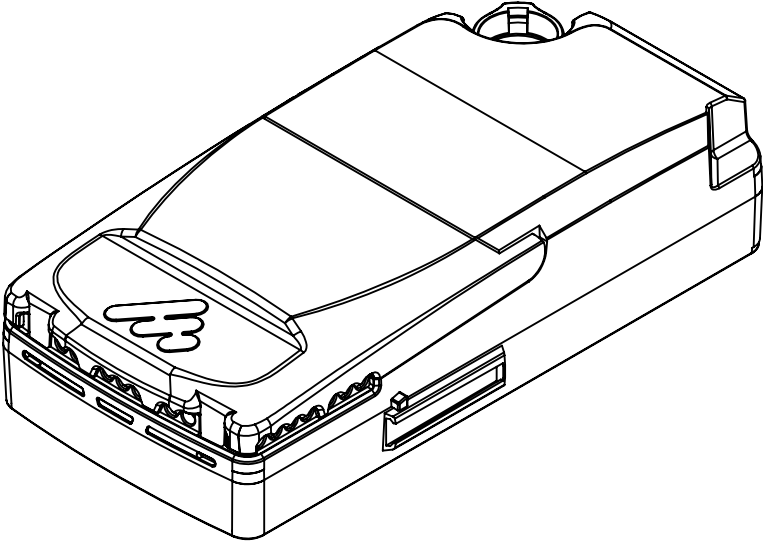
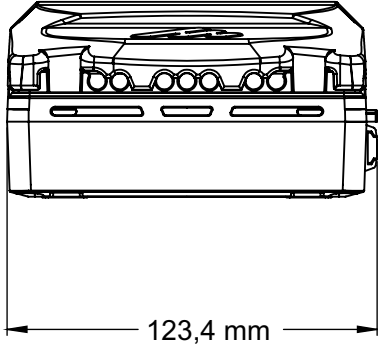
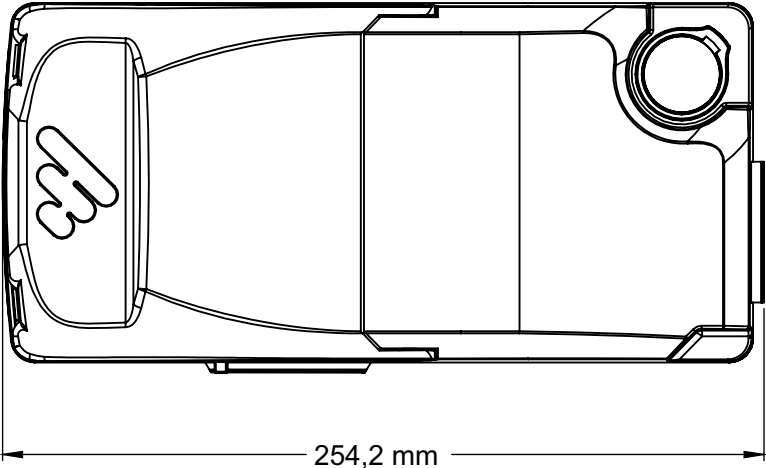
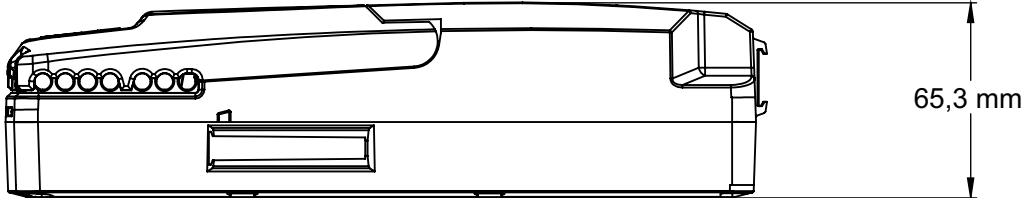




GENERAL FEATURES

Purpose of use	Weighing systems
Presicion	100g
IP Code	IPX6
Housing colour	RAL7035
Operating Temperature	+5°C to +40°C
Storage Temperature	-10°C to +50°C
Software	MsBus
Function LED	No
Power Supply	With cable in Control Boxes

DIMENSION DRAWING



ORDERING KEY

		SIB
System Architecture	M: MsBus	M
Software Code	01: Standard Software Code XX: Special Software Code The code documentation will be shared with our customers.	01
IP Degree	6: IPX6	6
Not Used	00: None	00
Not Used	00: None	00
Not used	0: None	0
Housing Colour	1: RAL7035	1
Cable	+ : Internal Cable	+
Cable Type	2: Flat Cable	2
Not Used	0: None	0
Cable Length	9: 1000mmx5	9

Ordering example: **SIBM016000001+209**

SYSTEM COMPATIBILITY

Compatible controls models
-NCD
-HCD
-TSP70
-TSP43



Compatible control box models
-MC74
-MC84
-MC86




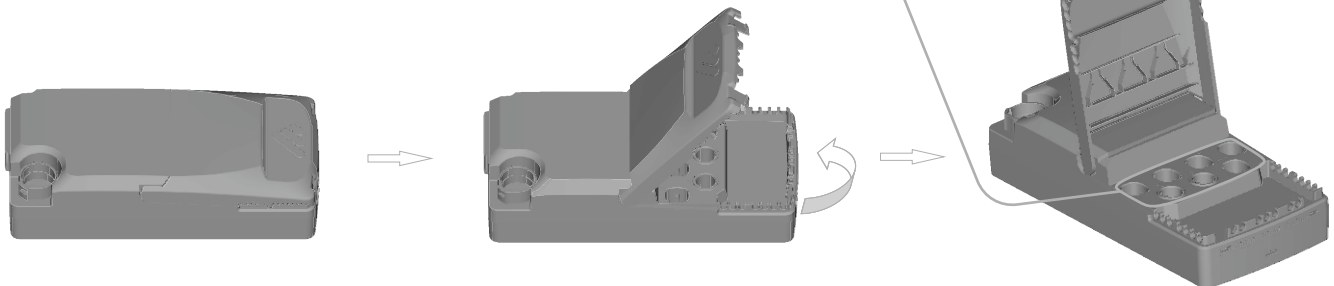
4x Load Cell
3rd party



USB cable



 mukatech scale interface software



Terms of Use

The user is responsible for determining the suitability of MUKATECH products for a specific application. MUKATECH products are subject to change without prior notice.

Document Revision Information

MUKATECH 20241104 DT.REV03

SIBM01600001+209

