

MC74

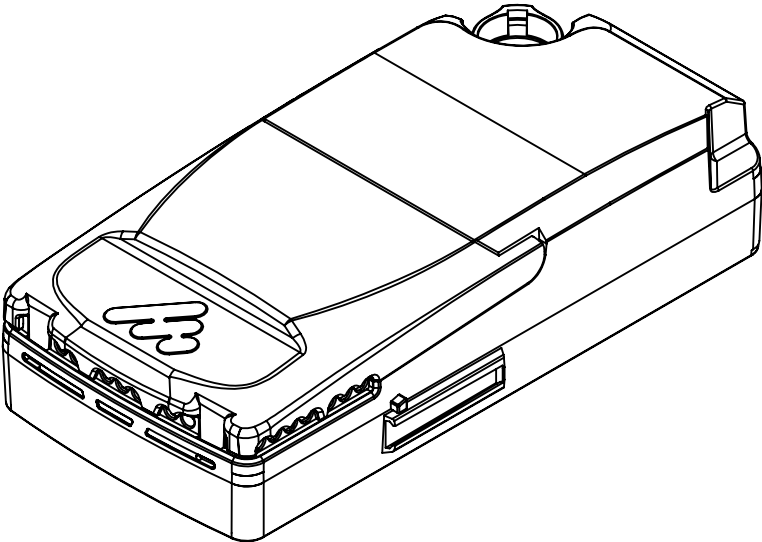
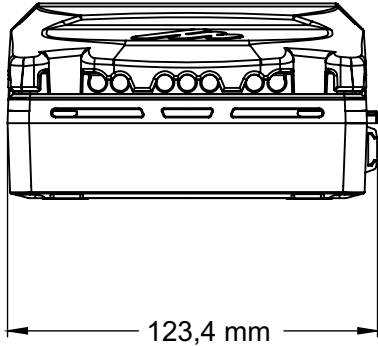
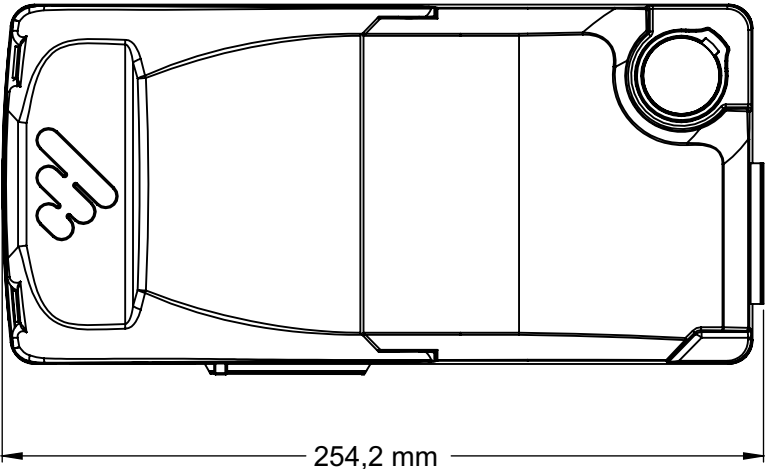
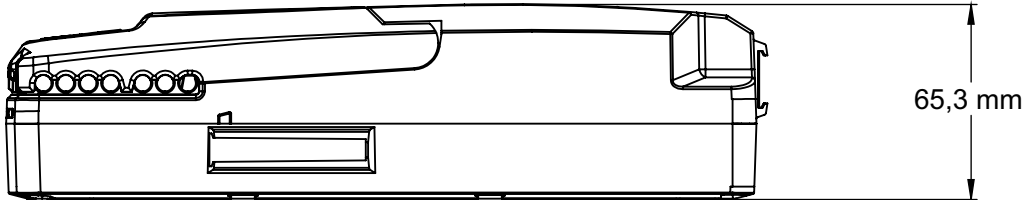
HEALTHCARE SERIES/CONTROL BOXES



GENERAL FEATURES

Controls Capacity	2
Actuator Control Capacity	4
IP Code	IPX6
Housing colour	RAL7035
Operating Temperature	+5°C to +40°C
Storage Temperature	-10°C to +50°C
Software	MsBus
Mains Indicator	Yes
Power Supply	120 / 230 VAC 50/60 Hz (internal 120W SMPS)
Safety system	Thermally protected. Short-circuit protected.
Protection class	Class 2, Class 1 is possible with AC cable
Internal Battery	No
Control Method	Relay

DIMENSION DRAWING



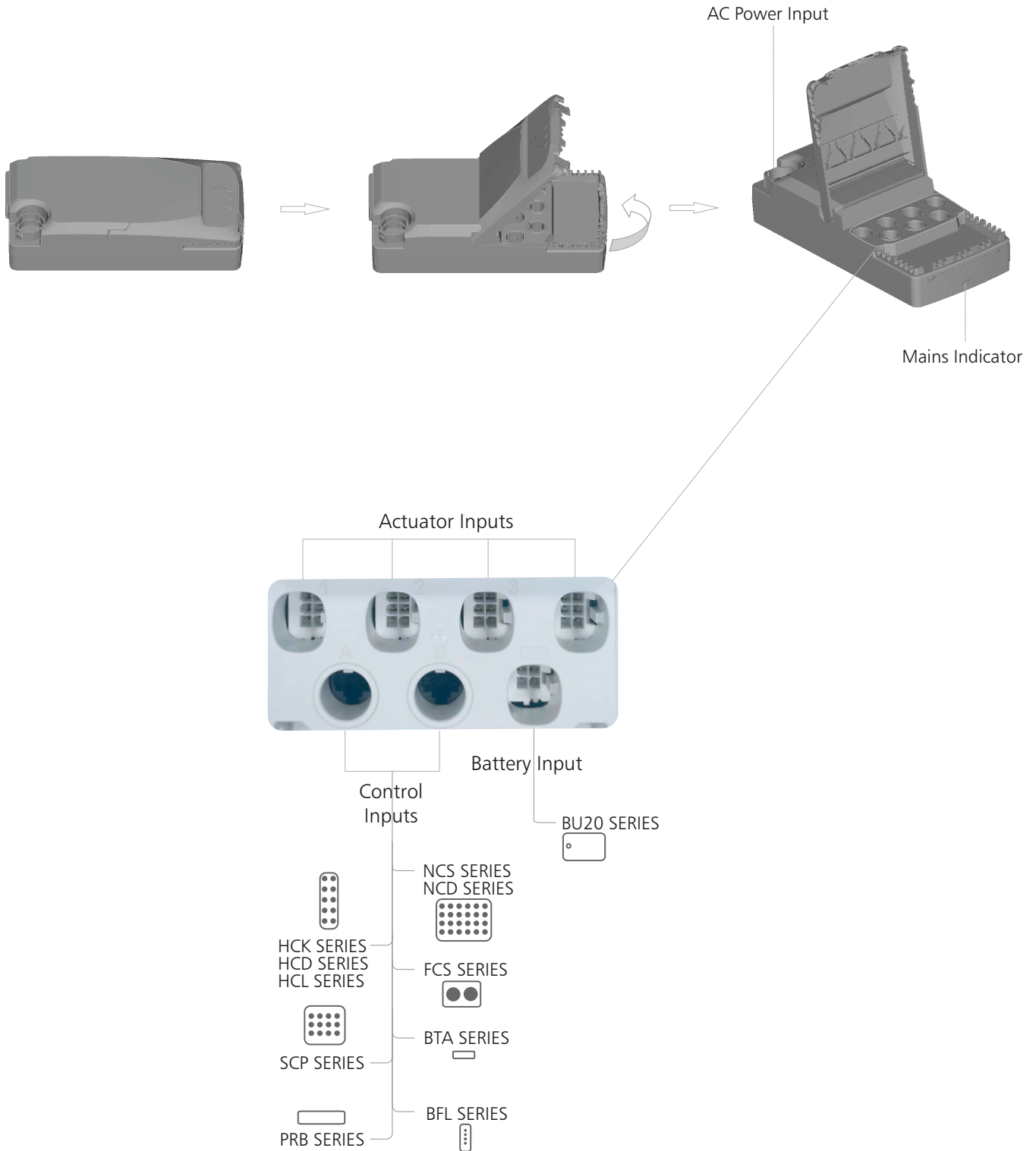
ORDERING KEY

		MC74
System Architecture	M: MsBus	M
Software Code	01: Standard Software Code XX: Special Software Code The code documentation will be shared with our customers.	01
IP Degree	6: IPX6	6
Number of Controls	2: 2 Controls	2
Number of Actuators	4: 4 Actuators	4
Power	12: 120W	12
Housing Colour	1: RAL7035	1
Battery	0: External Battery	0
Control Method	R: Relay	R
H-Bridge	0: Half Bridge	0
Power Supply	2: SMPS	2
Electrical Class	2: Class 2	2
Grounding	2: On AC Cable	2
Reserved for Future Use	00: None	00

Ordering example: **MC74M016241210R022200**

SYSTEM COMPATIBILITY

Ordering Key:MC74M016241210R022200



All controls are only usable with 90 degree cable. Please review the controls datasheets for detailed information.

Terms of Use

The user is responsible for determining the suitability of MUKATECH products for a specific application. MUKATECH products are subject to change without prior notice.

Document Revision Information

MUKATECH 20241104 DT.REV02