

# MA50

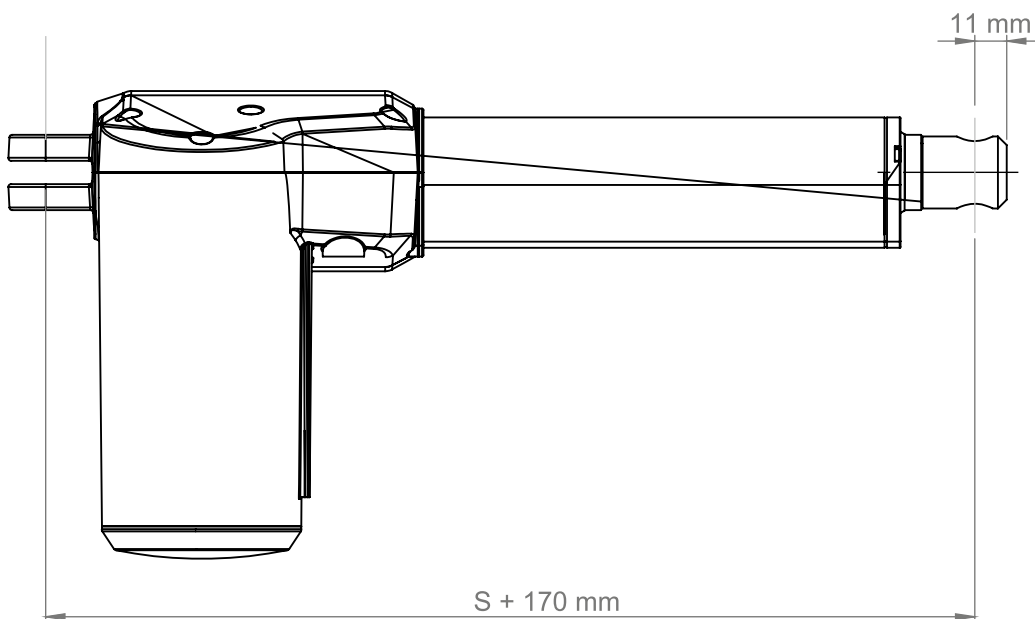
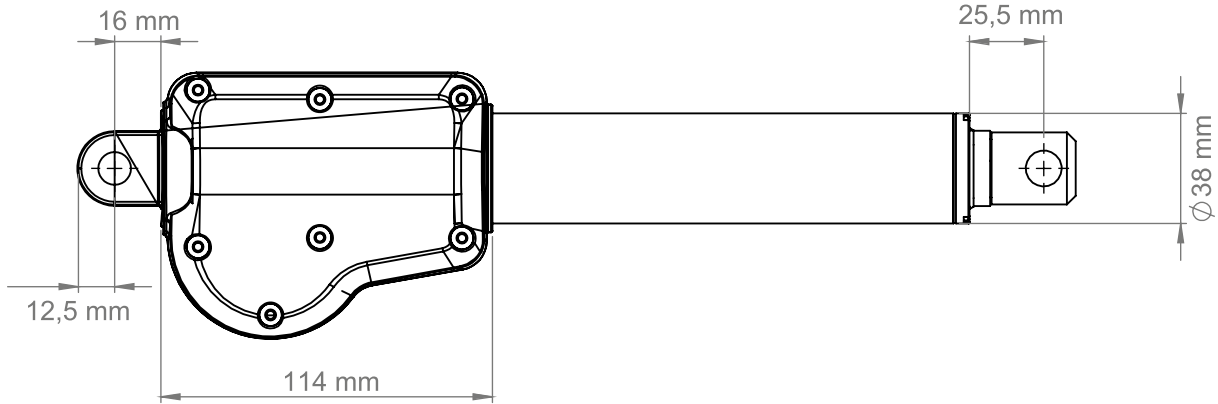
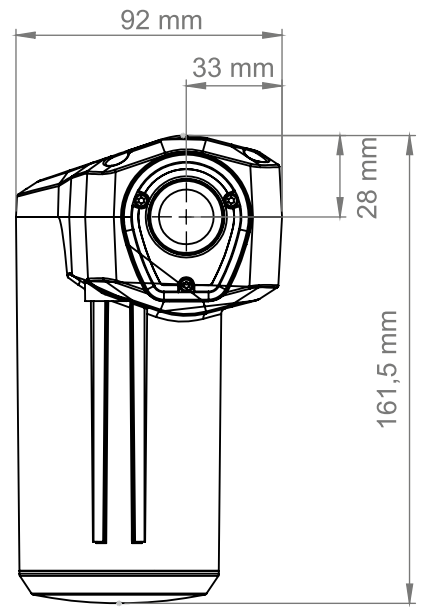
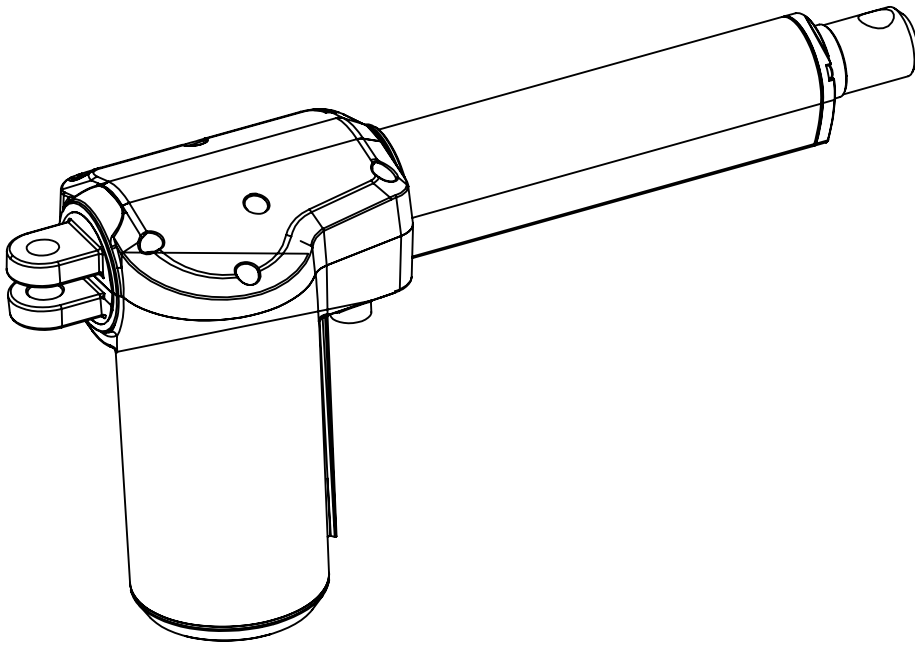
HEALTHCARE SERIES/ACTUATOR



## GENERAL FEATURES

Max. load	8,000N (push); 3,000N (pull)
Speed at full load	4mm/s
Max. speed at no load	16.8mm/s
Duty cycle	10%, max. 2min. continuous use
Min. installation dimension	Stroke length + 170mm
IP rating	IPX6
Approvals	IEC 60601-1
Stroke	25~250mm
Feedback options	Hall sensors
Safety options	Safety nut, Push only, Push only + safety nut
Voltage	24V DC
Housing color	RAL7035
Operational temperature	+5°C to +40°C

# DIMENSION DRAWING



## ORDERING KEY

MA50

Spindle pitch	<b>30:</b> 3mm <b>40:</b> 4mm <b>50:</b> 5mm <b>90:</b> 9mm	40
Stroke	<b>050:</b> 50mm <b>100:</b> 100mm <b>150:</b> 150mm <b>200:</b> 200mm <b>250:</b> 250mm <b>XXX:</b> Special length-between 50mm~250mm	150
Safety	<b>0:</b> Standard (Without) <b>1:</b> Safety nut <b>2:</b> Push only <b>3:</b> Push only + safety nut	0
Feedback	<b>0:</b> None <b>1:</b> Single Hall <b>2:</b> Dual Hall	0
Motor type	<b>A:</b> Normal <b>B:</b> High performance <b>C:</b> Special	A
Endstop	<b>0:</b> Power switch (Operate with analogue + MsBus control boxes) <b>1:</b> Signal switch (Operate with MsBus control boxes)	0
IP degree	<b>0:</b> Without <b>4:</b> IPX4 <b>6:</b> IPX6	4
Housing Colour	<b>1:</b> Light Grey RAL 7035 <b>2:</b> Black	1
Back fixture	<b>2:</b> Plastic, with slot, width 8.2, depth 17.0, hole 10.2 (for push<8000N) <b>3:</b> Plastic, with slot, width 8.2, depth 17.0, hole 12.2 (for push<8000N) <b>4:</b> Aluminum casting, with slot, slot 8.2, depth 17.0, hole 10.2 <b>5:</b> Aluminum casting, with slot, slot 8.2, depth 17.0, hole 12.2 <b>6:</b> Aluminum casting, with slot, slot 8.2, depth 17.0, hole 10.2, with plastic bushing	4
Back fixture rotation	<b>1:</b> 0° <b>2:</b> 180°	1
Piston rod	<b>C:</b> Steel, without slot, hole 12.2 <b>D:</b> Steel, with slot, hole 12.2 <b>E:</b> Steel, without slot, hole 10.2, with plastic bushing <b>F:</b> Steel, with slot, hole 10.2, with plastic bushing <b>G:</b> Plastic, without slot, hole 10.2 <b>H:</b> Plastic, without slot, hole 12.2 <b>I:</b> Plastic, with slot, hole 10.2 <b>J:</b> Plastic, with slot, hole 12.2	E

## ORDERING KEY Continued

Brake	<b>0:</b> Without <b>1:</b> Spindle brake <b>M:</b> Motor brake	0
Install dimension	<b>XXX:</b> Standard BID= Stroke length + 170mm With push only BID= Stroke length + 180mm	320
Option load	<b>1:</b> 6000N <b>2:</b> 8000N <b>3:</b> 4000N <b>4:</b> 2000N	1
Connector	<b>0:</b> None <b>1:</b> Minitfit 6P2C 180° plug (Only for power switch option) <b>2:</b> Minitfit 6P2C 90° plug (Only for power switch option) <b>3:</b> Minitfit 6P6C 180° plug <b>4:</b> Minitfit 6P6C 90° plug	2
Cable Length	<b>0:</b> None <b>1:</b> 500mm <b>2:</b> 750mm <b>3:</b> 1000mm <b>4:</b> 1250mm <b>5:</b> 1500mm <b>6:</b> 2000mm	4

Ordering example: MA504015000A04141E0320124

### Terms of Use

The user is responsible for determining the suitability of MUKATECH products for a specific application. MUKATECH products are subject to change without prior notice.

### Document Revision Information

MUKATECH 20231019 DT.REV00

