

MCA71

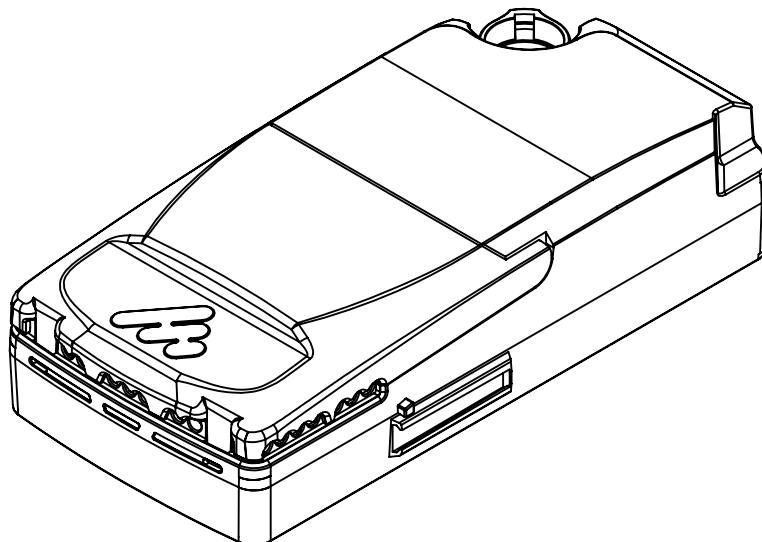
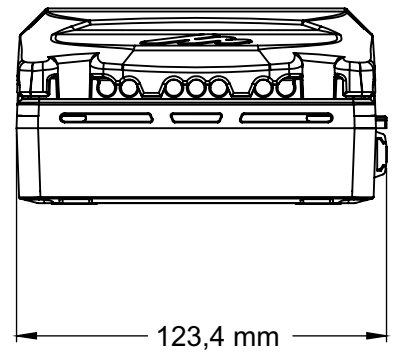
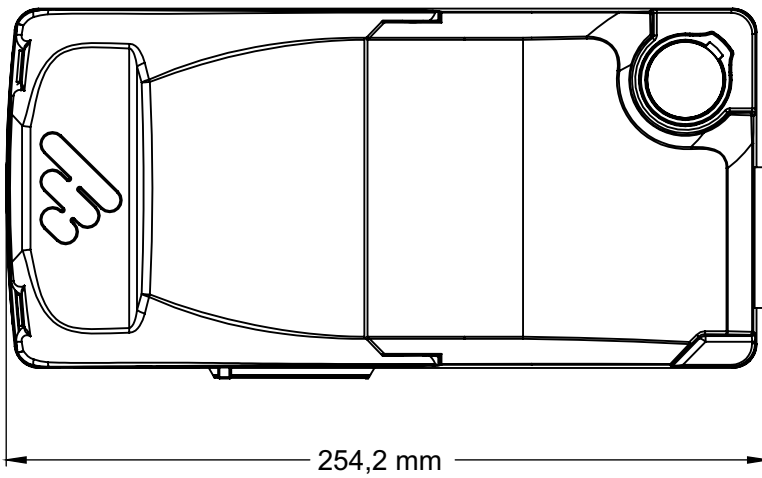
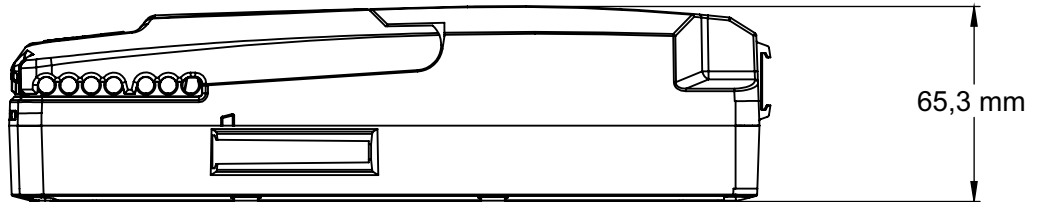
HEALTHCARE SERIES/CONTROL BOXES



GENERAL FEATURES

Controls Capacity	2
Actuator Control Capacity	4
IP Code	IPX6
Housing colour	RAL7035
Operating Temperature	+5°C to +40°C
Storage Temperature	-10°C to +50°C
Software	No
Mains Indicator	No
Power Supply	120 / 230 VAC 50/60 Hz (internal 120W SMPS)
Safety system	Thermally protected. Short-circuit protected.
Protection class	Class 2, Class 1 is possible with AC cable
Internal Battery	No
Control Method	Relay

DIMENSION DRAWING



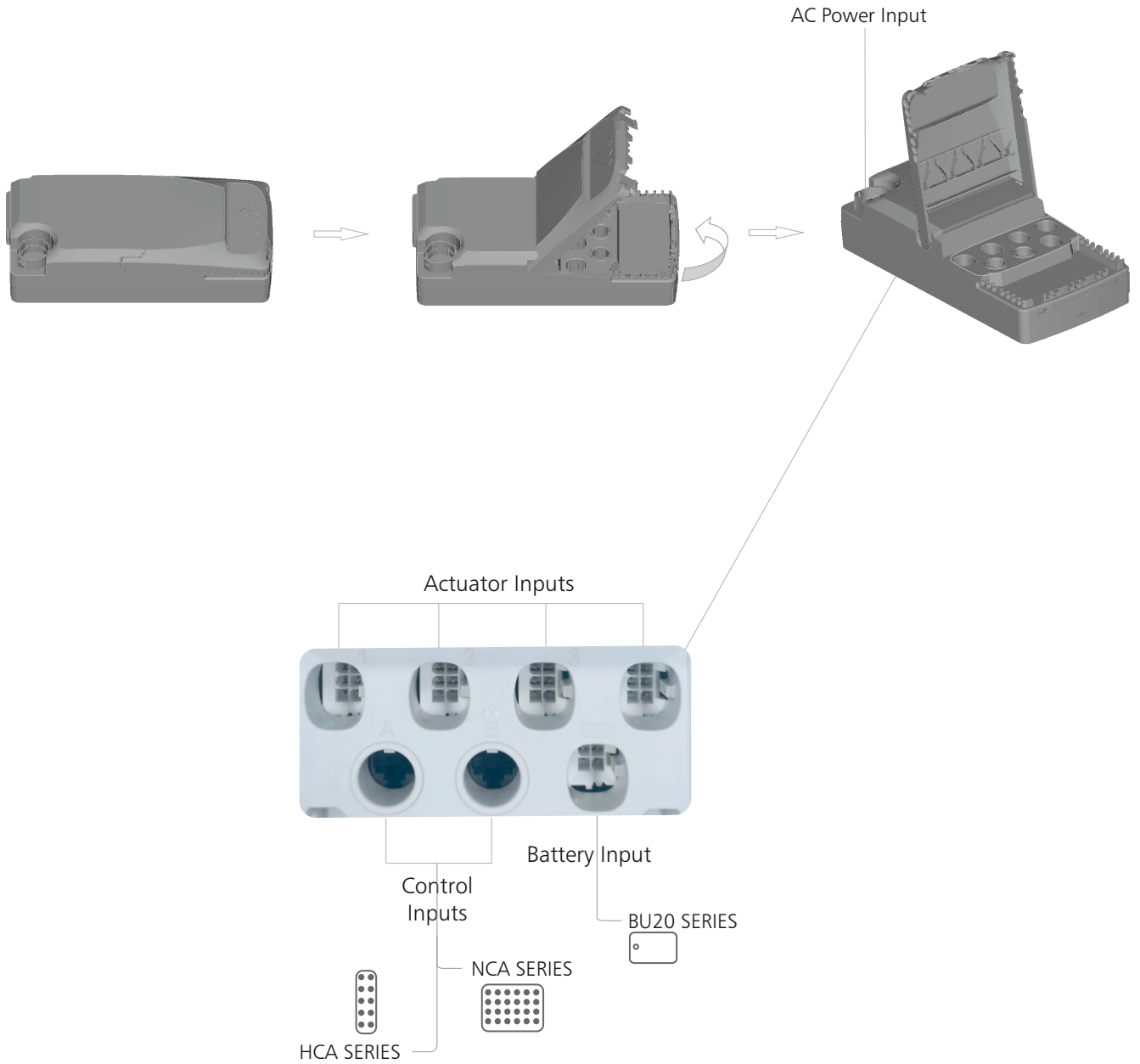
ORDERING KEY

		MC71
System Architecture	A: Analogue	A
Software Code	00: None	00
IP Degree	6: IPX6	6
Number of Controls	2: 2 Controls	2
Number of Actuators	4: 4 Actuators	4
Power	12: 120W	12
Housing Colour	1: RAL7035	1
Battery	0: External Battery	0
Control Method	R: Relay	R
H-Bridge	0: Half Bridge	0
Power Supply	2: SMPS	2
Electrical Class	2: Class 2	2
Grounding	2: On AC Cable	2
Reserved for Future Use	00: None	00

Ordering example: **MC71A006241210R022200**

SYSTEM COMPATIBILITY

Ordering Key:MC71A006241210R022200



Terms of Use

The user is responsible for determining the suitability of MUKATECH products for a specific application. MUKATECH products are subject to change without prior notice.

Document Revision Information

MUKATECH 20241104 DT.REV02